

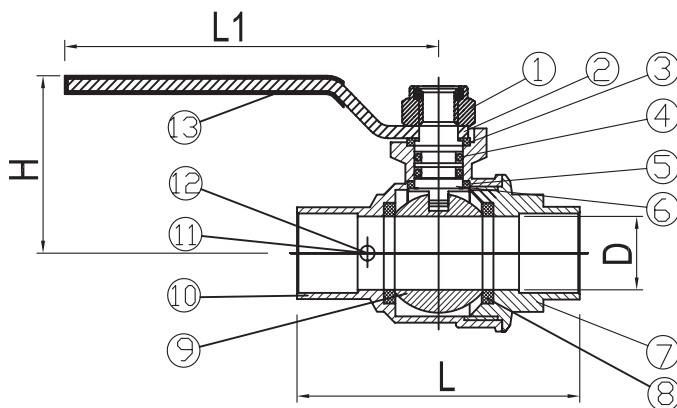
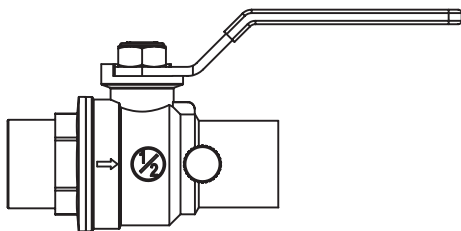
Specifications



Physical Characteristics

- Description: Ball Valve with Drain – Brass
- Connection Type: Solder x Solder
- Full port
- PTFE seats
- Handle Color: Yellow
- Max. Temp. Rating: 150° F
- Max. Pressure Rating: 500 PSI non-shock WOG
- Meets ANSI/NSF 61 Low Lead Requirements

VBV-FSW-A3PA
VBV-FSW-A4PA
VBV-FSW-A5PA
VBV-FSW-A3B
VBV-FSW-A4B
VBV-FSW-A5B



PART NO.	SIZE	L		H		L1		D		WEIGHT
		mm	In.	mm	In.	mm	In.	mm	In.	
VBV-FSW-A3PA	1/2"	58.8	2.30	34	1.34	77	3.03	14.8	0.58	176
VBV-FSW-A4PA	3/4"	80	3.15	45	1.77	93.5	3.68	20	0.79	312
VBV-FSW-A5PA	1"	96	3.78	48	1.89	93.5	3.68	25	0.98	478.6

PART NO.	SIZE	L		H		L1		D		WEIGHT
		mm	In.	mm	In.	mm	In.	mm	In.	
VBV-FSW-A3B	1/2"	58.8	2.30	34	1.34	77	3.03	14.8	0.58	176
VBV-FSW-A4B	3/4"	80	3.15	45	1.77	93.5	3.68	20	0.79	312
VBV-FSW-A5B	1"	96	3.78	48	1.89	93.5	3.68	25	0.98	478.6

NO.	DESCRIPTION	MATERIAL
1	Nut	Q235A
2	Handle	Steel
3	Washer	PE
4	O-ring	Rubber
5	Packing	Teflon
6	Stem	Brass
7	End piece	Brass
8	Ball seat	Teflon
9	Ball	Brass
10	Body	Brass
11	Washer	Rubber
12	Cap	Brass
13	Sleeve	PVC